

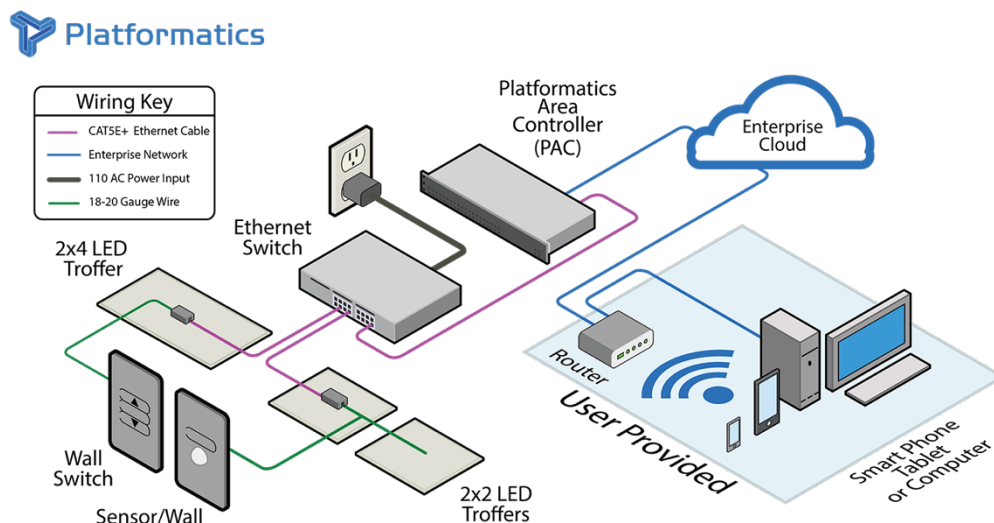
Platformatics Area Controller Data Sheet (PAC) V1.3

The Platformatics solution of Power over Ethernet (PoE) LED lights enables users to move lights quickly, safely, and easily. Adjustments to the light temperature and intensity are easy to manage individually or by zone. The PAC can easily automate failure detection. Our PoE enabled lights support numerous lighting and control functions, as well as many advanced applications. Advanced applications include: lighting scenes, color scenes, playlists, real-time building monitoring and energy reporting. The Platformatics Area Controller is the gateway to intelligent and beautiful buildings.

Intelligent Control Made Simple

When Platformatics intelligent light nodes are attached to an Ethernet switch, the Area Controller automatically discovers lights, wall switches, sensors and other devices. This feature makes system provisioning and commissioning easy. After device discovery, the system administrator can use the onboard web tools to create lighting zones, time-of-use schedules and other common behavior profiles.

System Topology



Copyright 2016 Platformatics, Inc.



The Platformatics Area Controller

When it comes to deploying a proof of Concept the Platformatics Area Controller makes it easy to install the system by preloading the software on a lighting optimized server. This system removes the headaches and hassles often associated with hardware selection and commissioning while receiving the benefits of using a cost-effective solution from a high volume global manufacturer.

Platformatics Area Controller Features At-A-Glance

Web Interface	All tools for provisioning, commissioning, scheduling and others are supported by a built-in web interface. This interface makes system installation and administration easy.
Device Auto Provisioning Tool	The area controller automatically discovers and identifies lights and other attached devices. This auto discovery makes system expansion and reconfiguration easy.
Commissioning Tool	The onboard commissioning tool leverages a web server to make commissioning fast and simple. The tool is used to group lights by zone and assign lights to wall switches, vacancy sensors and light level sensors. The commissioning tool supports an array of policy decisions such as default action clocks, control input priority and more.
Time of Day Scheduler	The onboard web scheduler makes lighting policy control easy and quick to manage—ensuring the system is not only building-code compliant but also optimized for your operations.
Fail-Safe Lighting Control	In the event of an area controller failure or network disconnection, room lights, sensors and wall switches continue to operate.
Up to 240 Nodes	Each area controller supports 240 independent nodes.
Role Based Administration	The system provides three tiers of role based administration. This feature ensures that global policies are set and enforced while also enabling policies that match local preferences.
Device Management	The area controller handles all software upgrades on attached devices, including light nodes and sensors.
Granular Dimming	Set dimming levels from 0-100%. Platformatics systems support dimming in 1/10 of 1% power intervals. Dimming rates are also configurable from 1 second to several minutes. This feature enables administrators to set min/max dim levels.



Continuous Dimming	The area controller software, in conjunction with the Platformatics intelligent lighting sensor hub, supports continuous dimming of lights when variable external lighting is present. This feature is required for DLC compliance.
High-End Trim	The area controller software enables system administrators to cap power use by each fixture. This feature is required for DLC compliance
Supports Multiple LED Lights	The software supports control of any attached light from basic white to color tunable and full RGB.
RGB Color Control	Red, Green, Blue (RGB) color control is configured through a webpage on the area controller. This application makes it easy to set room level background color lighting. Make any room a multicolor showcase or use it to welcome visitors with accent lighting that matches their logo.
Tunable White Light Control	Manually adjust the color temperature of tunable white lights for a cooler or warmer setting.
Administrative Page	Multiple users with different roles and permissions are supported.
Zones Page	Provides a simple way for administrators to label devices, configure the system and associate wall switches to control individual zones or lights.
Rules Page	Enables simple and quick set up of run time schedules and other operating parameters.
Monitor Page	Provides a tabular overview of system performance.
Active Device Monitoring	Every light and attached sensor is actively monitored. When a device is removed or fails, the system alerts administrators to a problem. This feature makes it easy to know when lights are working properly.

<i>PAC</i>	<i>Attributes and Specifications</i>
Hardware Vendor	Supermicro
Core Processor	Intel® Atom™ D525 (DMI)
Memory	2GB
Height	1.7" (43mm)
Width	17.2" (437mm)
Depth	9.8" (249mm)
Gross Weight	10 lbs (4.5kg)
Power Supply	200 Watts, 100-240V, 50-60Hz, 3-1.5 A Max
Manufacture's Data Sheet	http://www.supermicro.com.tw/products/system/1U/5015/SYS-5015A-EHF-D525.cfm



Platformatics Area Controller Plus Features At-A-Glance

Features	Retains all the features of the Base PAC and the features below
Advanced Monitoring Features*	NOC Monitoring, 24/7/365 Over Watch, Customized System Alerting, System Optimization Service, Vulnerability Update Service, Reports, Customer Care Hotline, Disaster Recovery Reconfiguration, Active Device Monitoring

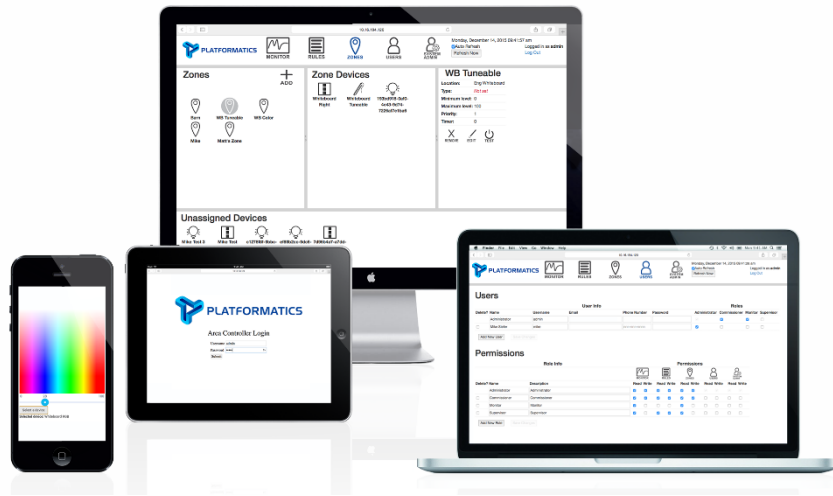
*additional fees apply

The Platformatics Area Controller Plus Server

When it comes to deploying the Platformatics Area Controller, we make it easy for customers to install the system by preloading the software on a lighting optimized server. This system removes the headaches and hassles often associated with hardware selection and commissioning while receiving the benefits of using a cost-effective solution from a high volume global manufacturer.

<i>PAC-PLUS</i>	<i>Attributes and Specifications</i>
Hardware Vendor	Supermicro
Core Processor	Intel® Core i3-4170
Memory	4GB
Height	1.7" (43mm)
Width	17.2" (437mm)
Depth	9.8" (249mm)
Gross Weight	10 lbs (4.5kg)
Power Supply	200 Watts, 100-240V, 50-60Hz, 3-1.5 A Max
Manufacture's Data Sheet	http://www.supermicro.com.tw/products/system/1U/5015/SYS-5015A-EHF-D525.cfm

The Graphical User Interface



Product IDs and Descriptions

Area Controller	POE-SRVR-R1-PAC
Area Controller Plus	POE-SRVR-R1-PAC+
Area Controller Software License	POE-SW-NODE-1.3.0

Compliance and Environmental Operating Conditions

DLC “Required”	PAC software V1.3 supports the DLC’s NETWORKED LIGHTING CONTROL SYSTEM SPECIFICATION V1.0
Safety Compliance	UL, CE, CCC - See the manufacturer’s data sheet for more details
ROHS	Compliant
Normal Operating Temperature and Altitude (Density Altitude)	-0°C to +35°C
Relative Humidity	Operating conditions: 8% to 90%, noncondensing
Storage Environment	Temperature: -40°C to 70°C Altitude: 15,000 ft

Our Mission

We create beautiful environments through intelligent applications.

For additional information, visit www.platformatics.com.