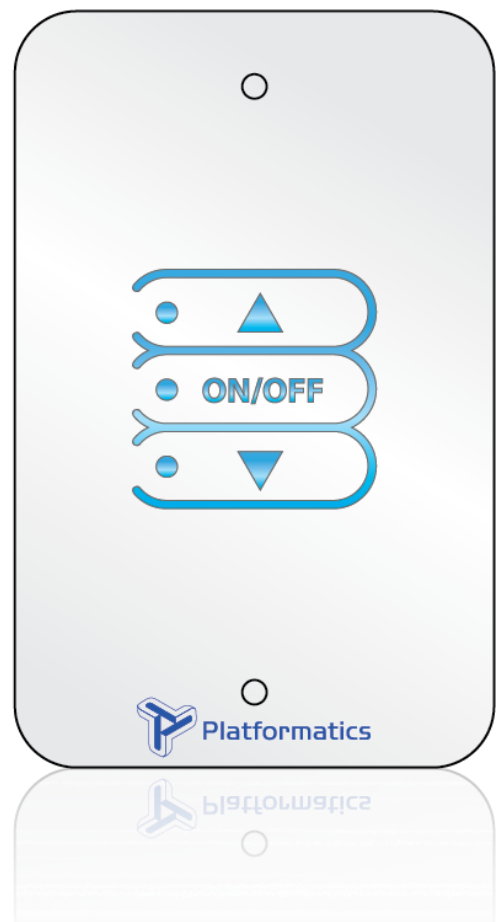


Nodes, Wall Switches, Sensors & Peripherals Data Sheet

The Platformatics solution of Power over Ethernet (PoE) LED lights enables users to quickly, safely and easily move lights, adjust color temperature and automate lighting controls—all while getting a better experience and saving energy. The system helps building operators create more productive, comfortable and healthy work environments. Platformatics' enabled lights support numerous lighting control functions from dimming and daylight harvesting to advanced applications like space use monitoring, lighting scenes, circadian rhythm playlists and real-time energy monitoring. While the Platformatics area controller serves as the gateway to intelligent buildings, our suite of wall switch sensors, light nodes and sensor hubs make granular data acquisition easy. Data is collected at the edge and stored in the cloud for use later in analytics tools that provide deep insight.

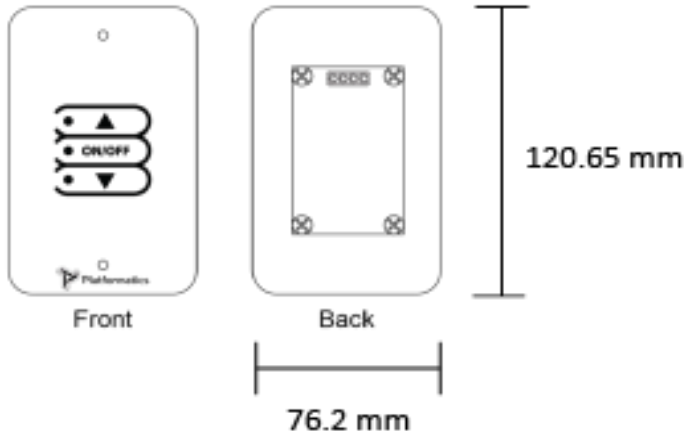
Wall Switch Back-Light Color

The configurable color of each wall switch demonstrates that there's something different about this system. It was designed to give customers unmatched flexibility to personalize workspaces. Each three-button wall switch has a configurable backlight. "Blue" might indicate that the room is a shared conference room while "Red" may indicate that a reservation is required. Platformatics makes it easy to use color to indicate local meaning.

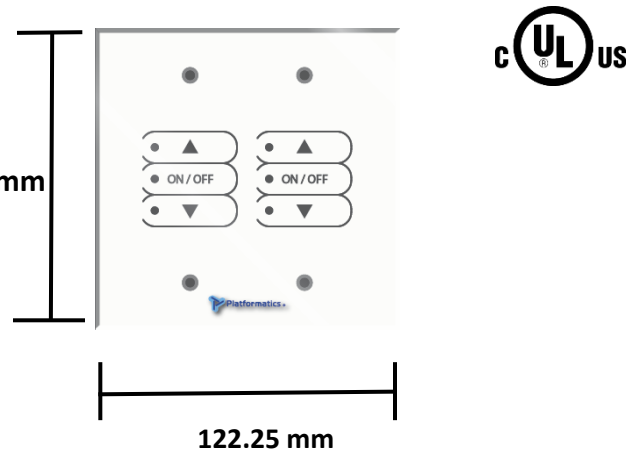


Wall Switches

Single Gang, Engraved, Rounded Edge



Dual Gang Wall Switch, Printed, Beveled Edge



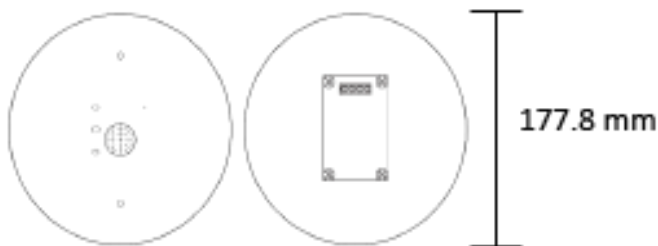
3-Button, Single Gang Wall Switch	<p>The single gang touch button wall switch can act as an on/off switch, dimmer, and - while in press and hold mode - a light color/temperature adjuster. The wall switch has a fully programmable RGB backlight. The backlight makes it easy to see in the dark and to match your corporate logo color.</p>
6-Button, Dual Gang Wall Switch	<p>The dual gang touch button wall switch can act as an on/off switch, dimmer, and - while in press and hold mode - a light color/temperature adjuster. Having two wall switches increases the controllability of a space, as each can be designated to control a different zone.</p>
6-Button, Dual Gang Wall Switch/Scene Controller	<p>The dual gang touch button wall switch/scene controller combination can act as an on/off switch, dimmer, and - while in press and hold mode - a light color/temperature adjuster. The scene controller applies rules to multiple zones concurrently with the push of a button.</p>
Peripheral Communication Bus	<p>2-twisted pairs 18-22 AWG solid core wire</p>
Manual Lighting Override	<p>While pressing and holding the on/off wall switch button, you can adjust the color of RGB(W) lights or the color temperature of tunable lights with the up/down arrows. This provides manual override controls and customization without needing to access the software.</p>
Custom Faceplates	<p>Choose between a wide variety of backgrounds from sleek, matte colors to vibrant, exotic patterns. You can add your logo to the faceplate as well as customize the buttons of the keypad. Contact Platformatics support for ordering details.</p>
New Faceplate Design	<p>The faceplate graphics are now printed and feature a beveled edge for a more reduced profile in the wall.</p>

Intelligent Lighting Sensors

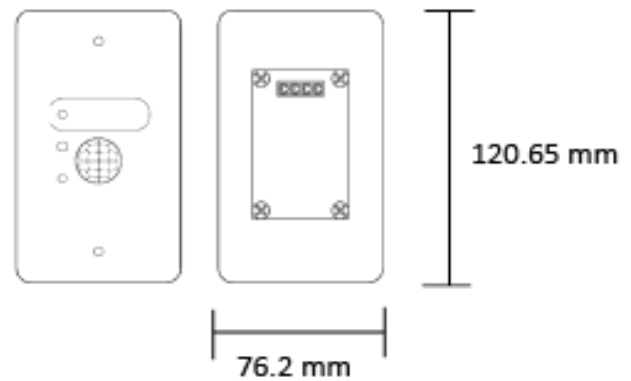
The Platformatics Intelligent Lighting Sensors combines temperature, light level, and passive infrared motion sensing into a single device. The sensor comes in two configurations: Wall switch, which includes a single button, and ceiling mount. Each sensor switch sensor comes with an LED to allow for motion detection and device identification. Platformatics now offers a dual gang configuration that includes a 3-button wall switch and a wall sensor.



Ceiling Mounted Sensor

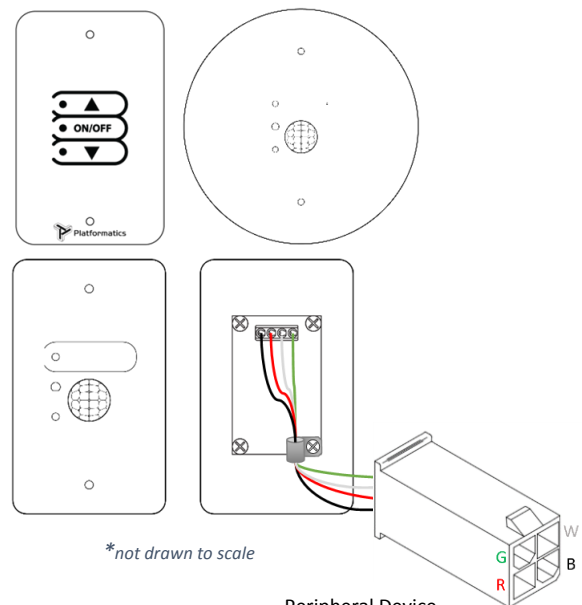


Wall Mounted Sensor



Quick Connect Wiring Harnesses

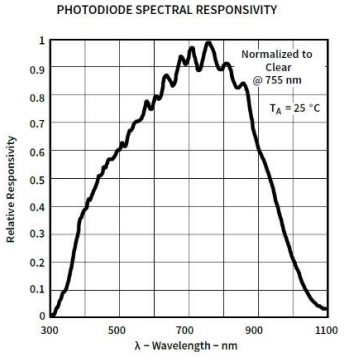
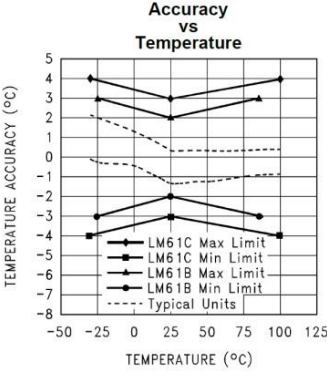
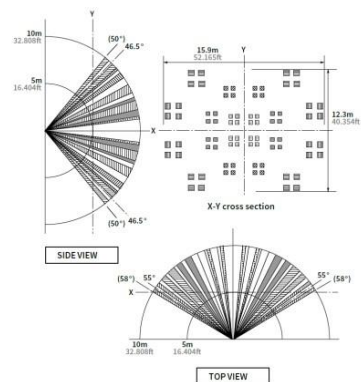
Platformatics now offers quick connect wiring harnesses for wall switches and sensors that arrive pre-assembled with a 22-gauge, 4-wire housing cable and a strain-relief. Cable lengths are 10' for ceiling mounts and 20' for wall mounts.



Peripheral Device
Housing Cable

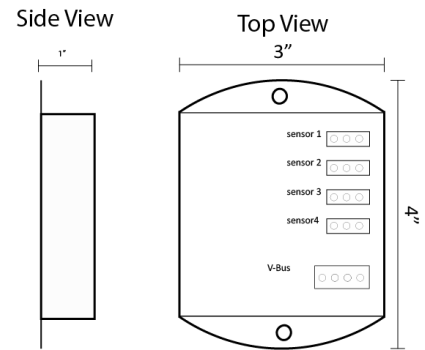
Molex Mini-Fit Jr. connector;
pin size Standard .0165" 4.2mm

Intelligent Lighting Sensor Hub Features and Benefits

Sensor Hub Features	Description and Benefit
Light Level Sensor	<p>The light level sensor enables customers to maintain constant light level while maximizing savings. The sensor detects changes in sunlight to enable lights to automatically reduce power consumption.</p> 
Temperature Sensor	<p>The onboard temperature sensor accurately measures between -13°F – 185°F (and -25°C – 85°C). This sensor ensures building operators and tenants are able to maintain a constant view of building operating conditions.</p> 
PIR Motion Sensor (Passive Infrared)	<p>The PIR sensor detects movement up to 33 ft/ 10M. The horizontal x vertical range is 1000 x 930. The diffusion cover supports 80 zones. These features combine to create a highly reliable motion/vacancy sensor.</p> 
Node Connection	<p>The sensors conveniently connect directly to any Platformatics node. This enables users to easily add sensors anytime, anywhere.</p>
Sensor Auto Detection	<p>Each sensor is automatically detected by the node. This ensures that newly added sensors are discovered by the Area Controller. Once visible, the sensor can simply be configured to work within any zone.</p>

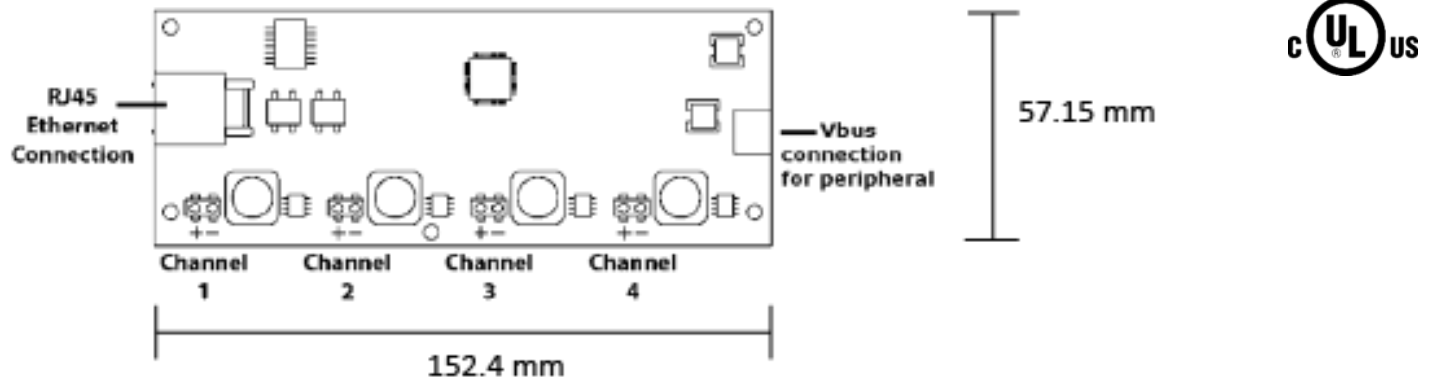
Sensor Hub Features and Benefits

The sensor hub is the gateway to deep insight. The hub gives customers the ability to attach an array of third party sensors anywhere in the building where a Platformatics node is found. The hub makes it easy to collect building performance data like CO2, humidity, power and other information needed to keep the building operating at its peak.



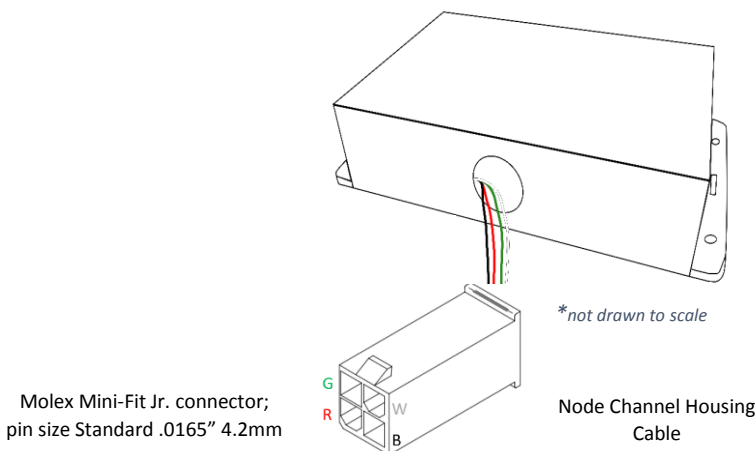
Support 3rd party sensors	The sensor hub allows for nearly any 0-10 volt or 4-20 mA analog input and open collector or dry contact input to be used with the system.
0-10 Volt Input	Linear dimming with analog input from a legacy dimming switch. Environmental monitoring with analog 0-10 sensor.
4-20 mAmp Input	Environmental monitoring with 4-20 milliamp analog sensor.
Dry Contact Input	Control or event monitoring with dry contact or open collector signal.
Node Connection	The sensor hub conveniently connects to any Platformatics node and is automatically discovered. This enables users to easily add sensors anytime, anywhere, additional insight is desired.

Light Nodes



<p>White Light Node</p>	<p>The White Light Node provides simple white light troffers and luminaires with advanced control and power management. These nodes are ideal for use with 2x2 and 2x4 troffers as well as with a 4 pack of down lights. Nodes can attach directly to the troffer. They provide secure auto commissioning, granular dimming, and advanced power monitoring.</p>
<p>Tunable White Light Node</p>	<p>This node has all the features of the White Light Node while also supporting multiple white light temperatures. These nodes are ideal for use with 2x2 tunable white lights.</p>
<p>RGB+W Light Node</p>	<p>The RGB+W Light Node supports full panel RGB+W Lights. This node provides up to 50 Watts for high output color control. Each node can work on a flat panel or power RGB+W downlights, strip lighting, wall sconces or other accent topologies.</p>
<p>Node Assemblies</p>	<p>Nodes can be pre-assembled and shipped in node boxes with quick connects already attached to ease installation and reduce the time spent in the ceiling on the job site. Assemblies are available in 1, 2, and 4 channel configurations.</p>

Light Node Assembly with Quick Connect



Molex Mini-Fit Jr. connector;
pin size Standard .0165" 4.2mm

Light Node Firmware Features and Benefits

Multiple LED Lights	Nodes support fixtures from white light illumination to full color.
Device Discovery	Nodes support automatic device discovery. Using the Platformatics Area Controller, lights and peripherals are automatically discovered and identified. Automatic device discovery makes system turn-up, reconfiguration, and ongoing operation easy.
Granular Dimming	Set dimming levels from 0-100%. Systems support dimming in 1/10 of 1% power intervals. Dimming rates are also configurable from fractions of a second to over an hour. This feature enables administrators to set min/max dim levels.
Flexible Sensor Configuration	Set the sensitivity and default operations of all control devices from wall switches to dimmers and sensors, including light level and vacancy.
Supports Multiple LED Lights	The Platformatics Area Controller software enables configuration and control of any attached light from basic white to color tunable and full RGBW.
RGBW Color Control	RGBW color control is configured through a webpage on the area controller.
Wall Switch Port	Attach wall switches and sensor hubs to any light node.
Boot Loader	Nodes ship with an onboard boot loader to make future firmware upgrades easy. No ladders are required.

Light Node Electrical Specs

Ethernet Interface	10/100BASE-T Auto Negotiate MDI RJ-45
Ethernet Interface Power Speciation	IEEE 802.3af or 802.3at PoE, PoE+, or UPoE (Power over Ethernet) PSE (Power Sourcing Equipment)
Maximum Input Voltage	60 Volts
Maximum Power Draw	60 Watts
Maximum Output Voltage	50V DC
Maximum Output Current	Channel and Model Dependent 100-2000mAmps DC 1 to 4 Channels Nominal Maximum Output Current as Supplied.
Peripheral Communication Bus	2-twisted pairs 18-24 AWG Stranded or Solid wire 1 Pair - 1 Mbps differential data pair - CAN 2.0 (ISO 11898-2) 1 Pair - +12 VDC @ 500mAmps Maximum
Maximum Aggregate Power Output	50 Watts (Including all 4 LED Channels and Peripheral Keypads & Sensors)

Product SKUs

Product	Product ID	Minimum Software
Ceiling Mounted Sensor Ceiling Mounted Sensor with Quick Connect	POE-S1-C-B-W POE-S1-C-B-W-QC10	PAC V1.1
Wall Mounted Sensor, Engraved/Rounded Wall Mounted Sensor, Printed/Beveled Wall Mounted Sensor, Printed/Beveled with Quick Connect	POE-S1-W-B-W POE-S1-W-C-W POE-S1-W-C-W-QC10	PAC V1.1
3 Button Wall Switch, Engraved/Rounded 3 Button Wall Switch, Printed/Beveled 3 Button Wall Switch, Printed/Beveled with Quick Connect	POE-WS1-B-W POE-WS1-C-W POE-WS1-C-W-QC20	PAC V1.1
4 Button, Dual Gang Wall Switch/Sensor, Printed/Beveled 4 Button, Dual Gang Wall Switch/Sensor, Printed/Beveled with QC	POE-S1-W-C-W4 POE-S1-W-C-W4-QC20	PAC V1.1
6 Button, Dual Gang Wall Switch, Printed/Beveled 6 Button, Dual Gang Wall Switch, Printed/Beveled with QCs	POE-WS1-C-W6 POE-WS1-C-W6	PAC V1.1
6 Button, Dual Gang Wall Switch/Scene Controller, P/B 6 Button, Dual Gang Wall Switch/Scene Controller, P/B with QCs	POE-WS1-C-W6S POE-WS1-C-W6S-QC20	PAC V1.1
1-U Channel Node 1 Channel Node Assembly (with Quick Connect)	POE-LN1-1U-E POE-LN4-1U-PR	PAC V1.2
2-U Channel Node 2 Channel Node Assembly (with Quick Connect)	POE-LN1-2U-E POE-LN4-2U-PR	PAC V1.2
4-U Channel Node 4 Channel Node Assembly (with Quick Connects)	POE-LN1-4U-E POE-LN4-4U-PR	PAC V1.2
IoT Sensor Hub (4: legacy dimmer / switch)	POE-SEN-4A-AAAA	PAC V1.4
IoT Sensor Hub (2: legacy dimmer / switch; 2: 0-10 V analog sensor inputs)	POE-SEN-4A-AABB	PAC V1.4
IoT Sensor Hub (4: 4-20 mA analog sensor inputs)	POE-SEN-4A-CCCC	PAC V1.4
IoT Sensor Hub (4: 0-10 V analog sensor inputs)	POE-SEN-4A-BBBB	PAC V1.4

Hardware Compliance and Environmental Operating Conditions

Safety Compliance	Designed to comply with UL 924 & UL 2108
ROHS	Compliant
Normal Operating Temperature and Altitude (Density Altitude)	-5°C to +45°C, up to 5000 feet (1500m) -5°C to +40°C, up to 10,000 feet (3000m) Min ambient temperature for cold start is 0°C
Relative Humidity	10% to 95%, noncondensing
Storage Environment	Temperature: -40°C to 70°C Altitude: 15,000 ft

Our Mission

We create beautiful environments through intelligent applications. www.platformatics.com