

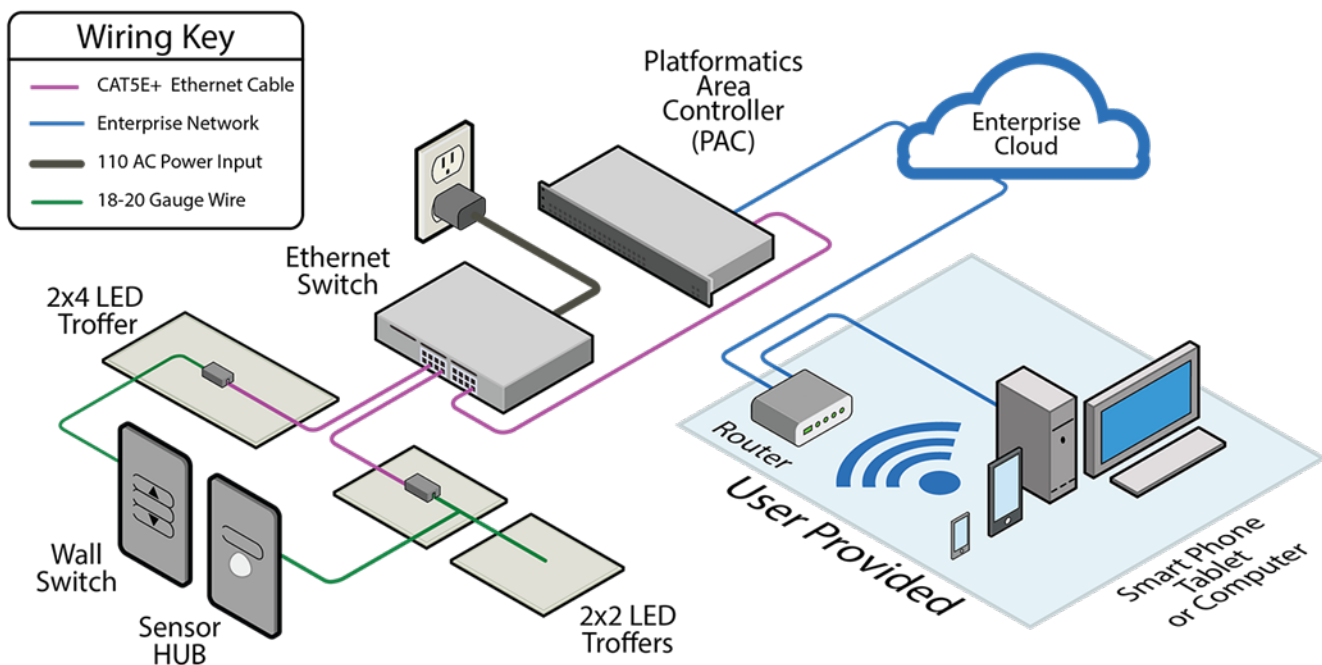
Area Controller Data Sheet (PAC) V1.5

The Platformatics solution of Power over Ethernet (PoE) LED lights enables users to quickly, safely and easily move lights, adjust color temperature and automate lighting controls—all while getting a better experience and saving energy. The system helps building operators create more productive, comfortable and healthy work environments. Platformatics enabled lights support numerous lighting control functions from dimming and daylight harvesting to advanced applications like space use monitoring, lighting scenes, circadian rhythm playlists and real-time energy monitoring. The Area Controller is the gateway to intelligent buildings.

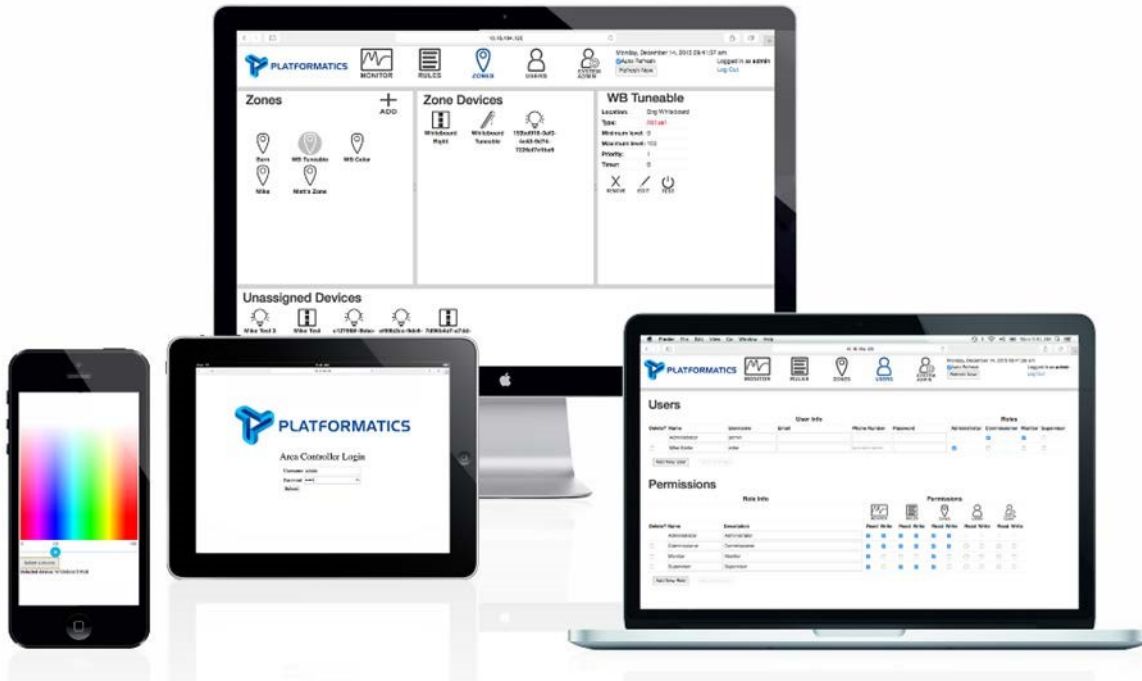
Intelligent Control Made Simple

When Platformatics intelligent light nodes are attached to an Ethernet switch, the Area Controller automatically discovers lights, wall switches, sensors and other devices. This feature makes system monitoring and commissioning easy. After device discovery, the system administrator can use the onboard web tools to create lighting zones, time-of-use schedules and other common behavior profiles.

System Topology



The Graphical User Interface



Area Controller Features At-A-Glance

Web Interface	All tools for monitoring, commissioning, scheduling and others are supported by a built-in web interface. This interface makes system installation and administration easy.
Automatic Device Detection	The area controller automatically discovers and identifies lights and other attached devices. This auto-discovery makes system expansion and reconfiguration easy.
Commissioning Tool	The onboard commissioning tool leverages a web server to make commissioning fast and simple. The tool is used to group lights by zone and assign lights to wall switches, vacancy sensors and light level sensors. The commissioning tool supports an array of policy decisions such as default action clocks, control input priority and more.
Time of Day Scheduler	The onboard web scheduler makes lighting policy control easy and quick to manage sequence of operations - ensuring the system is not only building-code compliant but also optimized for your operations.
Fail-Safe Lighting Control	In the event of an area controller failure or network disconnection, room lights, sensors and wall switches continue to operate.
Up to 240 Nodes	Each area controller supports 240 independent nodes. These nodes can power four lights each for a total of 960 lights and hundreds of sensors.

Role-Based Administration	The system provides three tiers of role-based administration. This feature ensures that global policies are set and enforced while also enabling policies that match local preferences.
Device Management	The area controller handles all software upgrades on attached devices, including light nodes and sensors.
Granular Dimming	Dimming from 0-100%. Platformatics systems support dimming in 1/10 of 1% power intervals. Dimming rates are also configurable from fractions of a second to over an hour. This feature enables administrators to set min/max dim levels.
Daylight Harvesting	The area controller software, in conjunction with the Platformatics intelligent lighting sensor, supports continuous dimming of lights when variable external lighting is present. This feature is required for DLC compliance.
High-End Trim (Power Trimming)	The area controller software enables system administrators to cap power use by each fixture. This feature is required for DLC compliance
Supports Multiple LED Lights	The software supports control of any attached light from basic white to color tunable and full RGB.
RGB Color Control	Red, Green, Blue (RGB) color control is configured through a webpage on the area controller. This application makes it easy to set room level background color lighting. Make any room a multicolor showcase or use it to welcome visitors with accent lighting that matches their logo.
Tunable White Light Control	Manually adjust the color temperature of tunable white lights for a cooler or warmer setting, or automatically through scheduling.
Zones Page	Provides a simple way for administrators to label devices, configure the system and associate wall switches to control individual zones or lights.
Rules Page	Enables simple and quick set up of run time schedules and other operating parameters.
Monitor Page	Provides a tabular overview of system performance.
Users Page	Enables administrators the ability to set up role-based access.
Active Device Monitoring	Every light and attached sensor are actively monitored by the PAC. When a device is removed or fails, the system changes the devices status to red. This makes finding faults easy.
Cloud Services	The PAC supports connections to the Platformatics Cloud Analytics Service and Managed Remote Care Service.
API access	The PAC supports an API for integration with 3 rd party software—from BMS and BACnet tools to full building automation suites.
Server virtualization	Software can run on a variety of server hardware when a VM is used.

Configuration Backup	When attached to a public WAN, PAC's forward configuration files to a backup server. This provides a current snap shot of commissioning information to ensure rapid restoration of the system in the event of a server failure. Alternatively, for local networks, a high availability virtual backup server can be implemented to store configurations and execute updates.
Support for sensors	The PAC software contains device libraries that support a large number of sensors ranging from temp, humidity and CO2, to gun shot and dry contacts.
Emergency Lighting Battery testing and reporting	Every PAC instance supports the Platformatics UL924 listed node/battery for use in Emergency maintained lighting and exit signs. The software enables emergency lights to be grouped into test zones. Each zone can be scheduled to run a health and compliance check once per month and year. The software shows the real-time compliance state of every attached ELN.
Energy Reporting	Every PAC shows current energy consumption by device and system.
Active Monitoring of Device State	Every PAC actively monitors all system attributes from device communication, power level, color temperature, thermal temperature and more. The system monitor page shows current state information. When tied to a managed service package, variables that go out of spec can be sent via our alerting service.
Gun Shot Detection	Each PAC comes with support for gun shot sensors made by Shot Tracer. In system tests, SMS alerts were delivered to cell phones within seconds of trigger pull. When seconds matter, automation accelerates notification.
Any Light	The PAC enables custom commissioning of any attached device. This means that the software can control any light—from Edison-based bulbs to chandeliers.
Sequence of Operations Templates	The PAC supports numerous sequences of operations templates that contain control rules for zones based on their function. Most energy codes require spaces with different uses to behave differently. This behavior should also change based on time of day and day of year. Our SOO templates make it easy to adjust control parameters. After all; hallways, bathrooms, conference rooms, and private offices have different uses.

Product IDs and Descriptions

Area Controller R2	POE-SRVR-R2-PAC
Area Controller Software License	POE-SW-PAC-1.5
PAC Virtualization	POE-VIRTUAL
Configuration Backup and Upgrade VM	POE-BACKUP-CONFIG-VM

Area Controller Specifications

When it comes to deploying the Platformatics Area Controller, we make it easy for customers to install the system by either preloading the software on a lighting optimized server or integrating with a VM. Please contact Platformatics support for server recommendations or VM support

Compliance and Environmental Operating Conditions

DLC Support	PAC software V1.5 supports the DLC's NETWORKED LIGHTING CONTROL SYSTEM SPECIFICATION V1.0
Safety Compliance	UL, CE, CCC - See the manufacturer's data sheet for more details
ROHS	Compliant
Normal Operating Temperature and Altitude (Density Altitude)	-0°C to +35°C
Relative Humidity	Operating conditions: 8% to 90%, noncondensing
Storage Environment	Temperature: -40°C to 70°C Altitude: 15,000 ft

Our Mission

We create beautiful environments through intelligent applications. www.platformatics.com